



XCMG introduction



XCMG MEWP Division introduction

XCMG is the founder and pioneer of China's construction machinery. Since its establishment in 1989, XCMG has always maintained its leading position in China's construction machinery industry. At present, it ranks the fourth in the world construction machinery industry, the fourth in the top 100 of China's machinery industry, and the 427th in the world's top 500 brands. It is a large enterprise group with huge scale, complete product varieties and series, unique competitiveness and influence in China's construction machinery industry.

XCMG MEWP Division as a specialized manufacturing enterprise that develops, produces and sells aerial work platforms in China, focuses on supplying customers with complete sets of solutions for safe aerial work. With a floor area of 22,000 m² and a building area of 150,000 m², the company has 14 intelligent production lines and hundreds of high-grade production equipment interconnected, and uses digital management in the whole process, the company is the largest fire truck and aerial work platform intelligent manufacturing base in China.



CHINESE CONSTRUCTION MACHINERY INDUSTRY

TOP1



TOP 100 IN THE CHINESE MACHINERY INDUSTRY

TOP4



GLOBAL CONSTRUCTION MACHINERY INDUSTRY

TOP4



MOBILE ELEVATING WORK PLATFORM OF CHINA

LEADING BRAND

Intelligent Manufacturing

XCMG Fire-fighting Safety Equipment Co., Ltd. has the most professional, advanced, intelligent and efficient production process, equipment and facilities in the aerial work platform industry, such as multiple on-line fiber laser automatic cutting line, CNC machining center cluster, manipulator full-automatic bending machine, AGV automatic transfer robot welding line, robot high-quality powder spraying line, EMS three-dimensional transportation full-automatic assembly line, online detection system, etc. and realized intelligent Internet of Things and centralized control.

The company, with process technology innovation and informatization deep integration as the main line and "intelligent manufacturing" as the main direction, realized organic integration of production-manufacturing, information technology and Internet of Things, established a product-life-cycle-oriented manufacturing system with information perception, decision-making optimization and execution control functions, and realized high-quality, efficient, flexible, clean, safe and quick product manufacturing and user serving by using intelligent equipment such as industrial robots, CNC machining centers, automatic production lines and information management software such as SCADA and MES.



Product Spectrum

Scissor Lifts



XG0807HD/XG0807HDW



XG1008HD/XG1012HD



XG1212HD



XG1412HD



XG1612HD



XG0607DC



XG0807DC/XG0807DCW



XG1008DC/XG1012DC



XG1212DC/XG1412DC



XG1612DC

Telescopic Boom Lifts



XGS22



XGS24



XGS28



XGS34



XGS40



XGS43



XGS58

Articulating Boom Lifts



XGA16AC



XGA20AC



XGA16



XGA20



XGA26



TELESCOPIC BOOM LIFTS

HIGHLIGHTS



Variable Speed



4WD and 4WS



High-Precision Weighting



Swing-Out Engine Tray



Ground Control



Flashing Beacon



Oscillating Axle



Anti-extrusion Device



GPS



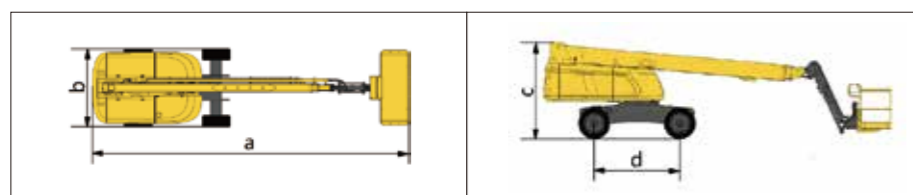
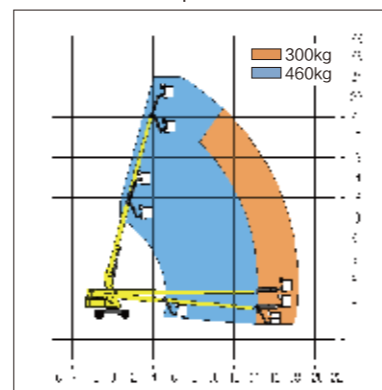
XGS22

Parameter

Item	Item	XGS22
Max. Working Height	m	22
Max. Platform Height	m	20
Max. Working Range	m	17.2
Max. Load Capacity(Unrestricted/Restricted)	kg	300/460
Boom Luffing Range	°	-3 ~ +73
Rotation Angle of Turntable	°	360° (Continuous)
Rotation Angle of Platform	°	160
Max. Tail Wagging	mm	1270
Max. Travel Speed	km/h	6.3
Min. Turning Radius	m	6
Min. Ground Clearance	mm	230
Max. Grade Ability	%	45
Tire Specification	-	36x14-20 / 355/55D625
Engine Model	-	4D2404
Rated Power of Engine	kW/(r/min)	36.8/(2700)
Total Weight	kg	12300
Platform Size	mm	2400 × 900
a Overall Length	mm	10040
b Overall Width	mm	2490
c Overall Height	mm	2460
d Wheel Base	mm	2500



Work Curve Graph



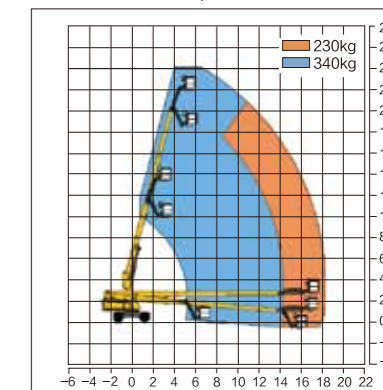
XGS24

Parameter

Item	Item	XGS24
Max. Working Height	m	24
Max. Platform Height	m	22
Max. Working Range	m	18.3
Max. Load Capacity(Unrestricted/Restricted)	kg	230/340
Boom Luffing Range	°	-5 ~ +75
Rotation Angle of Turntable	°	360° (Continuous)
Rotation Angle of Platform	°	160
Max. Tail Wagging	mm	1550
Max. Travel Speed	km/h	6
Min. Turning Radius	m	6
Min. Ground Clearance	mm	230
Max. Grade Ability	%	45
Tire Specification	-	36x14-20 / 355/55D625
Engine Model	-	Perkins 404D-22T / Yuchai 4D24T00
Rated Power of Engine	kW/(r/min)	43/(2600) / 48/(2700)
Total Weight	kg	12500
Platform Size	mm	2400 × 900
a Overall Length	mm	10150
b Overall Width	mm	2490
c Overall Height	mm	2800
d Wheel Base	mm	2500



Work Curve Graph



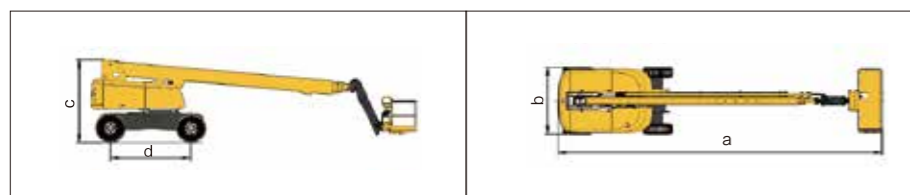
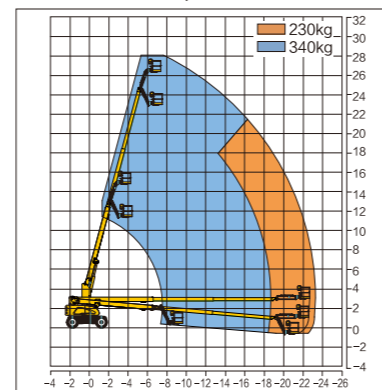
XGS28

Parameter

Item	Item	XGS28
Max. Working Height	m	28.2
Max. Platform Height	m	26.2
Max. Working Range	m	23.2
Max. Load Capacity(Unrestricted/Restricted)	kg	230/340
Boom Luffing Range	°	-5 ~ +75
Rotation Angle of Turntable	°	360° (Continuous)
Rotation Angle of Platform	°	160
Max. Tail Wagging	mm	1500
Max. Travel Speed	km/h	6.1
Min. Turning Radius	m	6.7
Min. Ground Clearance	mm	310
Max. Grade Ability	%	45
Tire Specification	-	385/65-22.5
Engine Model	-	Foton Cummins QSF2.8t3TC71
Rated Power of Engine	kW/(r/min)	53/(2200)
Total Weight	kg	16600
Platform Size	mm	2400 × 900
a Overall Length	mm	12100
b Overall Width	mm	2490
c Overall Height	mm	3050
d Wheel Base	mm	3000



Work Curve Graph



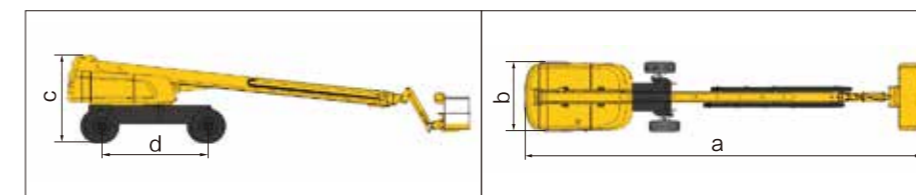
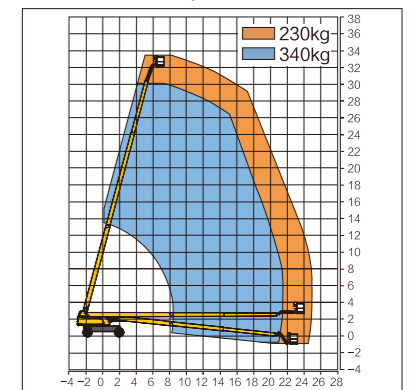
XGS34

Parameter

Item	Item	XGS34
Max. Working Height	m	34.2
Max. Platform Height	m	32.2
Max. Working Range	m	24.6
Max. Load Capacity(Unrestricted/Restricted)	kg	230/340
Boom Luffing Range	°	-6 ~ +75
Rotation Angle of Turntable	°	360° (Continuous)
Rotation Angle of Platform	°	160
Max. Tail Wagging	mm	2085/1430
Max. Travel Speed	km/h	5
Min. Turning Radius	m	5.8 (Axles retracted) / 6.8 (Axles extended)
Min. Ground Clearance	mm	260
Max. Grade Ability	%	45
Tire Specification	-	385/65D22.5
Engine Model	-	Perkins 1104D-44T / YC4FA75-T300
Rated Power of Engine	kW/(r/min)	55.5/(2400) / 55/(2200)
Total Weight	kg	18400
Platform Size	mm	2400 × 900
a Overall Length	mm	14300
b Overall Width	mm	2490/3800
c Overall Height	mm	3070
d Wheel Base	mm	3800



Work Curve Graph



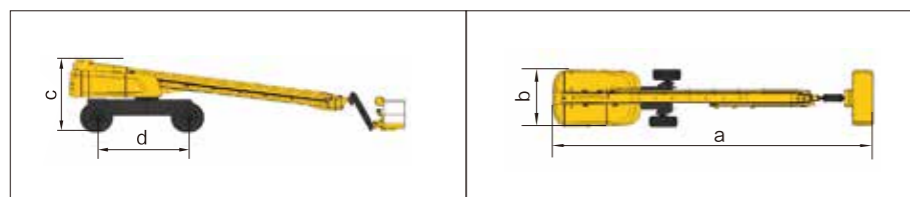
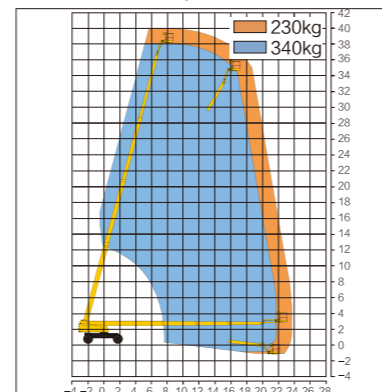
XGS40

Parameter

Item	Item	XGS40
Max. Working Height	m	40.2
Max. Platform Height	m	38.2
Max. Working Range	m	23.9
Max. Load Capacity(Unrestricted/Restricted)	kg	230/340
Boom Luffing Range	°	-7 ~ +75
Rotation Angle of Turntable	°	360° (Continuous)
Rotation Angle of Platform	°	160
Max. Tail Wagging	mm	2085/1430
Max. Travel Speed	km/h	5
Min. Turning Radius	m	6.8/5.8(Axles Retracted /Axles Extended)
Min. Ground Clearance	mm	320
Max. Grade Ability	%	40
Tire Specification	-	445/50D710
Engine Model	-	Perkins 1104D-44T / YC4FA75-T300
Rated Power of Engine	kW/(r/min)	55.5/(2400) / 55/(2200)
Total Weight	kg	20600
Platform Size	mm	2400 × 900
a Overall Length	mm	14060
b Overall Width	mm	2490/3800
c Overall Height	mm	3000
d Wheel Base	mm	3800



Work Curve Graph



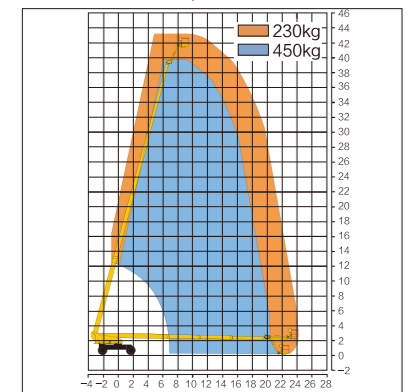
XGS43

Parameter

Item	Item	XGS43
Max. Working Height	m	43.3
Max. Platform Height	m	41.3
Max. Working Range	m	25
Max. Load Capacity(Unrestricted/Restricted)	kg	230/450
Boom Luffing Range	°	-1 ~ +75
Rotation Angle of Turntable	°	360° (Continuous)
Rotation Angle of Platform	°	160
Max. Tail Wagging	mm	2390/1725
Max. Travel Speed	km/h	5
Min. Turning Radius	m	6.8/5.8(Axles Retracted /Axles Extended)
Min. Ground Clearance	mm	320
Max. Grade Ability	%	40
Tire Specification	-	445/50D710
Engine Model	-	Perkins 1104D-44T / YC4FA75-T300
Rated Power of Engine	kW/(r/min)	55.5/(2400) / 55/(2200)
Total Weight	kg	22000
Platform Size	mm	2400 × 900
a Overall Length	mm	14950(12000)
b Overall Width	mm	2490
c Overall Height	mm	3050
d Wheel Base	mm	3800



Work Curve Graph



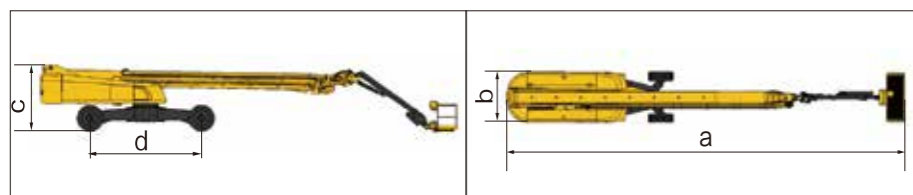
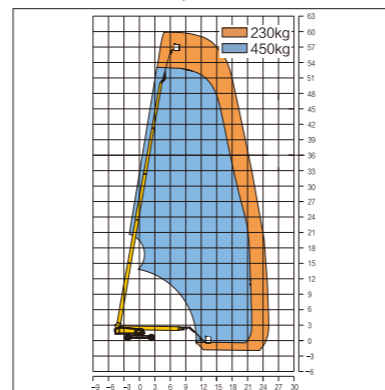
XGS58

Parameter

Item	Item	XGS58
Max. Working Height	m	58.6
Max. Platform Height	m	56.6
Max. Working Range	m	24.8
Max. Load Capacity(Unrestricted/Restricted)	kg	230/450
Boom Luffing Range	°	-1 ~ +80
Rotation Angle of Turntable	°	360° (Continuous)
Rotation Angle of Platform	°	160
Max. Tail Wagging	mm	2320
Max. Travel Speed	km/h	4.5
Min. Turning Radius	m	9.5/6.6
Min. Ground Clearance	mm	250
Max. Grade Ability	%	45
Tire Specification	-	445/50D710
Engine Model	-	Deutz TCD3.6 L4
Rated Power of Engine	kW/(r/min)	74.4/(2300)
Total Weight	kg	27900
Platform Size	mm	2400 × 900
a Overall Length	mm	19450/14600
b Overall Width	mm	2490/5030
c Overall Height	mm	3070
d Wheel Base	mm	5220/4590



Work Curve Graph



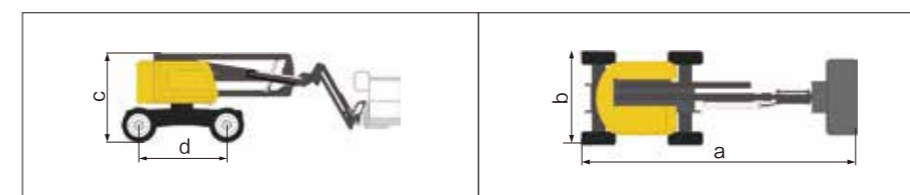
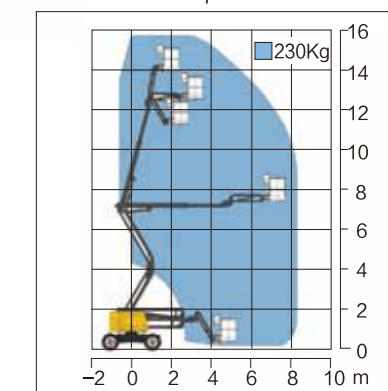
XGA16

Parameter

Item	Item	XGA16
Max. Working Height	m	16.05
Max. Platform Height	m	14.05
Max. Working Range	m	8.2
Max. Load Capacity	kg	230
1st Boom luffing Range	°	0 ~ +60
2nd Boom luffing Range	°	-8 ~ +75
Fly Jib Luffing Range	°	-60 ~ +80
Rotation Angle of Turntable	°	355
Rotation Angle of Platform	°	160
Max. Tail Wagging	mm	0
Max. Travel Speed	km/h	6.1
Min. Turning Radius	m	4.5
Min. Ground Clearance	mm	250
Max. Grade Ability	%	45
Tire Specification	-	33x12-20/7.5 / 315/55D20
Engine Model	-	Perkins 404D-22 / Yuchai 4D2404
Rated Power of Engine	kW/(r/min)	38/(3000) / 36.3/(2800)
Total Weight	kg	7100
Platform Size	mm	1830 × 760 × 1150
a Overall Length	mm	6690
b Overall Width	mm	2260
c Overall Height	mm	2130
d Wheel Base	mm	2100



Work Curve Graph

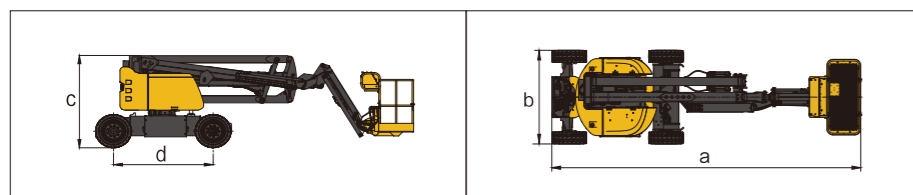
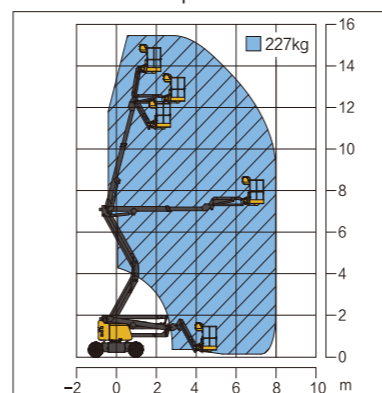


XGA16AC / Parameter

Item	Item	XGA16AC
Max. Working Height	m	15.8
Max. Platform Height	m	13.8
Max. Working Range	m	8
Max. Load Capacity	kg	227
1st Boom luffing Range	°	0 ~ +60
2nd Boom luffing Range	°	-8 ~ +75
Fly Jib Luffing Range	°	-60 ~ +80
Rotation Angle of Turntable	°	355
Rotation Angle of Platform	°	160
Max. Tail Wagging	mm	0
Max. Travel Speed	km/h	5.2
Min. Turning Radius	m	3.15
Min. Ground Clearance	mm	210
Max. Grade Ability	%	30
Tire Specification	-	250-15 / 240/55D17.5 / 250-15/7.00
Battery Specification	V/Ah	48 / 420 (DC)
Main Motor Specification	kw/V	4 / 48 (DC)
Drive Motor Specification	kw/V	3.3/32 (AC)
Total Weight	kg	6500
Platform Size	mm	700 × 1400 × 1150
a Overall Length	mm	6420
b Overall Width	mm	1750
c Overall Height	mm	2000
d Wheel Base	mm	2010



Work Curve Graph

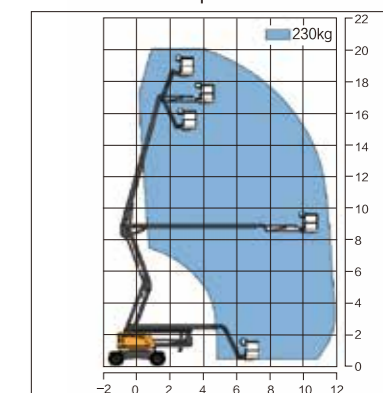


XGA20 / Parameter

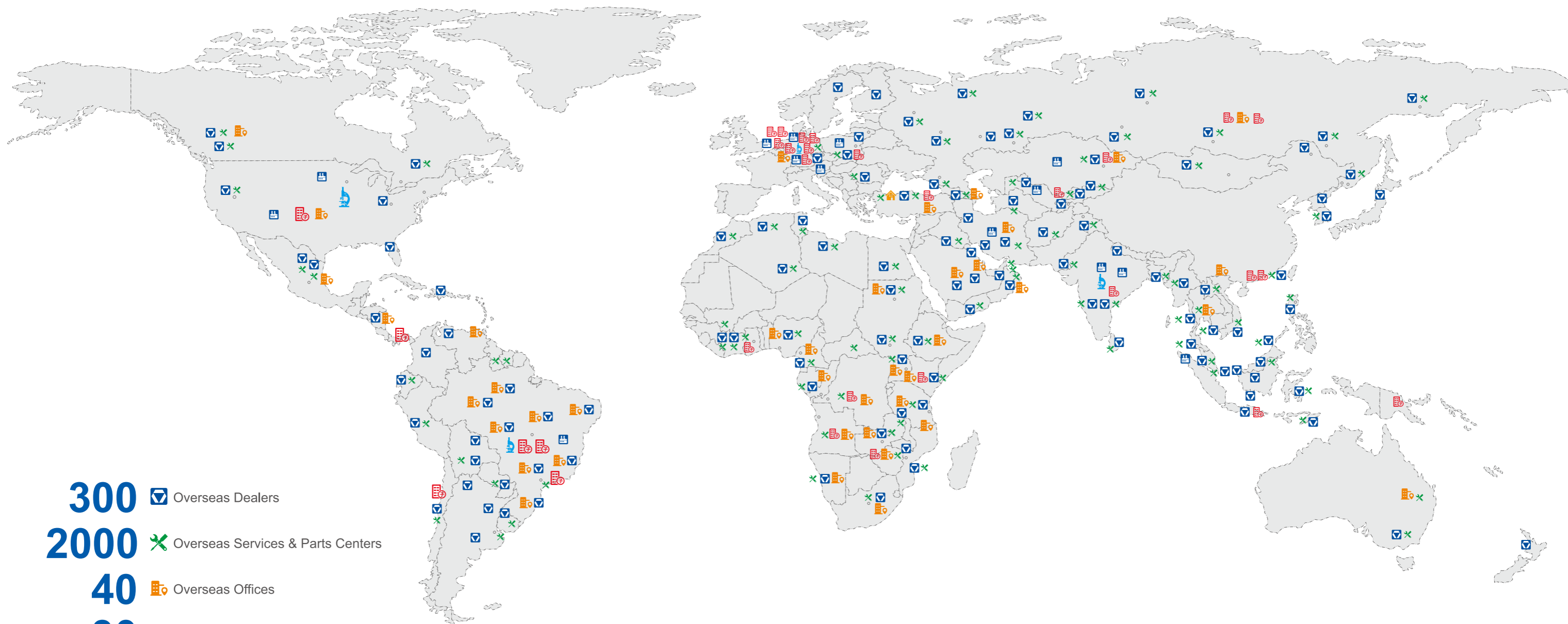
Item	Item	XGA20
Max. Working Height	m	20.4
Max. Platform Height	m	18.4
Max. Working Range	m	11.9
Max. Load Capacity	kg	230
1st Boom luffing Range	°	0 ~ +70
2nd Boom luffing Range	°	0 ~ +75
Fly Jib Luffing Range	°	-65 ~ +70
Rotation Angle of Turntable	°	360° (Continuous)
Rotation Angle of Platform	°	160
Max. Tail Wagging	mm	0
Max. Travel Speed	km/h	6
Min. Turning Radius	m	6
Min. Ground Clearance	mm	230
Max. Grade Ability	%	45
Tire Specification	-	355/55D625 / 36 × 14-20
Engine Model	-	Perkins 404D-22 / 4D2404
Rated Power of Engine	kW/(r/min)	38/(3000) / 36.8/(2700)
Total Weight	kg	10600
Platform Size	mm	1830 × 760
a Overall Length	mm	9080
b Overall Width	mm	2490
c Overall Height	mm	2680
d Wheel Base	mm	2500



Work Curve Graph



Marketing & Service



- 300** Overseas Dealers
- 2000** Overseas Services & Parts Centers
- 40** Overseas Offices
- 30** Overseas Companies
- 14** Overseas Manufacturing Bases & KD Factories
- 4** Overseas R&D Centers



Machmall.com is an electromechanical product platform officially launched by XCMG, aiming to provide global customers with a complete set of high-quality construction machinery solutions and supporting equipment.

Xuzhou Construction Machinery Group Co., Ltd. (XCMG Group), founded in 1943, is the fourth largest worldwide construction machinery manufacturer and the largest in China with products covering 183 countries and regions.

XCMG have 12 complete solutions: Crane lifting, Mining Construction, Earth-moving Solutions, Road Machinery, Concrete Equipment, Tunnel and Underground Space Construction, Mobile Elevating Work Platform (MEWP), Piling and Non-excavation Equipment, Transportation Equipment, Environmental Sanitation Equipment, Firefighting, Safety and Emergency Rescue


徐工徐工，助您成功

— XCMG for your success —



 <https://www.machmall.com/>

 machmall@xcmg.com

 0086 18652183963
86-516 8773 9797